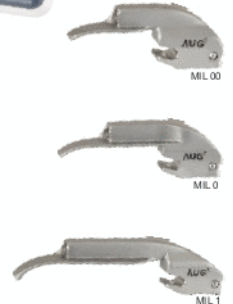
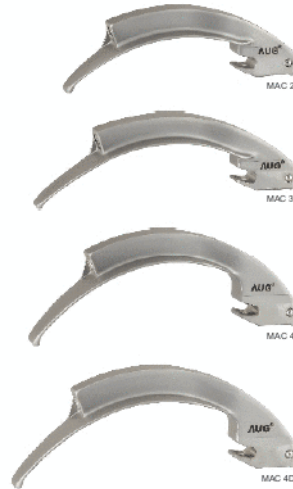
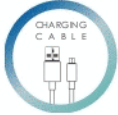




Quality. Defined

Video Laryngoscope



DIGISKOP® | VIDEO LARYNGOSCOPE KIT REUSABLE - VLR 100

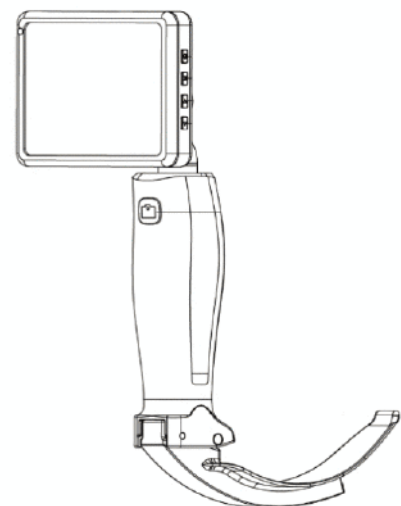
AUG DIGISKOP® Video Laryngoscope adopts state-of-art technique, possesses the advantage of 2.0M Pixels full-view camera, High-resolution monitor, Unique anti fog capability, along with portable ergonomic design, enabling clinicians to improve their chances of first-attempt success while minimizing the injury chances may occur during the intubation process by getting a better view of the glottis structure.

Clinical Advantages: Avoid the injury intubation may cause to the laryngeal structure by getting an optimal view of the laryngeal structure Unique anti-fog capacity, no need to preheat, save time in emergency intubation operation.

FEATURES

- 2.0M Pixels camera, full-view high resolution monitor.
- 3.5" Portatable color display
- Rechargeable lithium-ion battery.
- Various specifications of blades (Newborn/Pediatric/Adult/ Difficult airway intubation Size optional).
- Ergonomic durable design.
- Easy to Operate.
- Utilize 316 medical stainless steel material and blades can be sterilized under high temperature and pressure or through anti-microbial soaking.
- Ultra-big capacity of the battery, can be continually used for 200 minutes.
- Replace routine laryngoscope.

REF	SIZE	DETAILS
10.010.001	Mac 2,3,4+LCD	Standard Kit
10.010.202	Mac 2	Child
10.010.203	Mac 3	Adult
10.010.204	Mac 4	Adult
10.010.204D	Mac 4D	Difficult Intubation
10.010.249	Mil 00	Neonate/Infant
10.010.250	Mil 0	Infant
10.010.251	Mil 1	Infant/Child



YEARS
WARRANTY



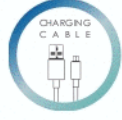
MAINTAINANCE
FREE



EASY TO
USE



Quality. Defined



DIGISKOP® | VIDEO LARYNGOSCOPE KIT DISPOSABLE - VLD 150

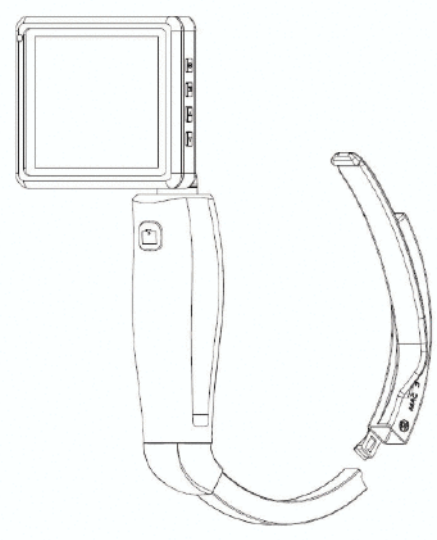
AUG DIGISKOP® Video Laryngoscope adopts state-of-art technique, possesses the advantage of 2.0M Pixels full-view camera, High-resolution monitor, Unique anti fog capability, along with portable ergonomic design, enabling clinicians to improve their chances of first-attempt success while minimizing the injury chances may occur during the intubation process by getting a better view of the glottis structure.

Clinical Advantages: Avoid the injury intubation may cause to the laryngeal structure by getting an optimal view of the laryngeal structure Unique anti-fog capacity, no need to preheat, save time in emergency intubation operation.

FEATURES

- 2.0M Pixels camera, full-view high resolution monitor.
- 3.5" Portatable color display
- Rechargeable lithium-ion battery.
- Various specifications of Disposable blades (Newborn/Pediatric /Adult/Difficult airway intubation Size optional).
- Ergonomic durable design.
- Easy to Operate.
- Utilize 316 medical stainless steel material and blades can be sterilized under high temperature and pressure or through anti-microbial soaking.
- Ultra-big capacity of the battery, can be continually used for 200 minutes.
- Replace routine laryngoscope.

REF	SIZE	DETAILS
10.015.002	Mac 2,3,4+LCD	Standard Kit
10.015.202	Mac 2	Child
10.015.203	Mac 3	Adult
10.015.204	Mac 4	Adult
10.015.204D	Mac 4D	Difficult Intubation
10.015.249	Mil 00	Neonate / Infant
10.015.250	Mil 0	Infant
10.015.251	Mil 1	Infant/Child



YEARS
WARRANTY



MAINTENANCE
FREE



EASY TO
USE